



---

# TIMBERCRAFT

---

Custom Dovetailed Drawers

2008 Catalog

***Manufactured in Connecticut***

Toll-free 800-345-4930 • Web [www.timbercraft.biz](http://www.timbercraft.biz)



## **TIMBERCRAFT**

Custom Dovetailed Drawers

*Made in New England*

**Toll-free 800-345-4930**

**Fax 860-355-1274**

**dovetail@timbercraft.biz**

**www.timbercraft.biz**

MAINE

VERMONT

NEW  
HAMPSHIRE

ATLANTIC  
OCEAN

MASSACHUSETTS

NEW YORK

CONN. R.I.

PENNSYLVANIA

NEW  
JERSEY

**Overnight  
Delivery in the  
Northeastern  
United States**

## Thank you for taking a moment to consider Timbercraft products.

It is our goal to meet the solid wood custom dovetail drawer requirements of small to medium size Cabinetmakers located throughout the Northeast, deliver them in the least possible amount of time and **share enjoyable relationships along the way.**

Working with cabinetmakers over the last 20 years has given us a unique understanding of the value we must provide our customers in order to build such relationships. In support of this we are continually improving our processes and making considerable investments in our people, equipment and materials. For example:

- **Specialization:** Manufacturing only one product allows us to concentrate our continual process improvement efforts in one small area. Improving the value of the drawer boxes our customers receive. We do not have doors, moldings, hardware, or nested-based manufacturing concepts to distract us.
- **Focus:** Our efforts are focused on meeting the drawer requirements of the small to medium size cabinetmakers located throughout the Northeast. This regional focus means freight costs are minimized and orders arrive at your shop the next day, delivered by the same carrier that picked up your order. We only use direct carriers.
- **Equipment:** We own the most modern and versatile CNC dovetailing and drawer processing equipment available.
- **Processes:** Custom designed software and lean manufacturing practices support our commitment to shipping your orders in 5-7 days. 3-days if needed and at times what ever it takes.
- **Raw Material:** We purchase only select or better grades of Maple and Birch for your drawers, unlike cabinet door manufacturers we don't recover scrap wood to use in drawers. This is one of the reasons why **Timbercraft does not offer a value, budget, or economy grade drawer.**
- **Inventory:** To support rapid order turnaround we maintain substantial amounts of solid Maple and Birch lumber in our warehouse in order to meet demand for a few or a few thousand drawers.

### What you can expect from Timbercraft:

- An average of 5-7 day delivery of your orders
- 5/8" thick select Solid Maple or Birch hardwood.
  - 3/8" thick VC Plywood bottoms only.
  - Wood that is virtually free of imperfections
- Laminations pleasingly matched for color uniformity.
  - No finger jointed or edge banded parts.
- Drawers that have been cleaned and inspected and are ready for installation.
- **An honest and enjoyable working relationship.**



## TIMBERCRAFT

Custom Dovetailed Drawers

**Made in New England**

**Toll-free 800-345-4930**

**Fax 860-355-1274**

**dovetail@timbercraft.biz**

**www.timbercraft.biz**

### INDEX

<b>Material Specifications</b> .....	2
<b>Dovetail Layout</b> .....	3
<b>Option Groups</b>	
Undermount Notching .....	4
Drawer Pull .....	5
Side Scallops .....	5
File Rail Notch .....	5
Bread Box .....	6
Top Edges .....	6
Embossed Color Logo .....	6
Custom Spice Tray Inserts .....	6
Cutlery Insert & Divider Options ..	7
<b>Order Form</b> .....	9
<b>List Pricing</b> .....	8
<b>General Information</b> .....	10
<b>Sales &amp; Use Tax Form</b> .....	11
<b>Credit Application</b> .....	12



## TIMBERCRAFT

Custom Dovetailed Drawers

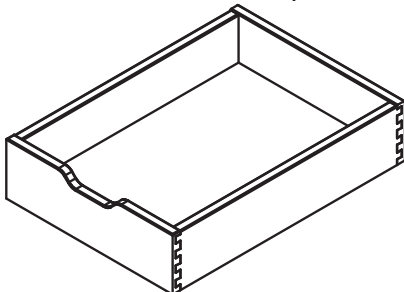
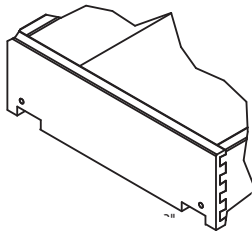
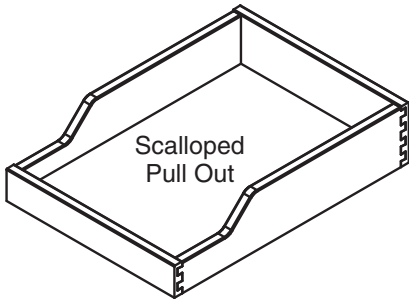
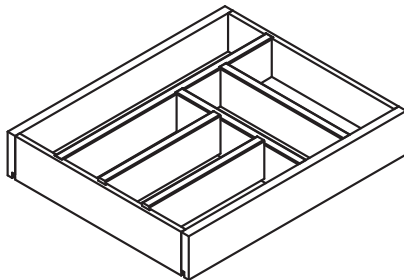
*Made in New England*

Toll-free 800-345-4930

Fax 860-355-1274

dovetail@timbercraft.biz

www.timbercraft.biz



# Material Specifications

---

## Northern Hardwoods

---

- **Maple Birch:** This unique hardwood is specially selected for its clear and uniform color, straight grain, and minimal defects. It's often referred to as "Maple Birch" due to its striking similarity in appearance to Hard Maple, yet much more economical.
- **Maple:** This light vanilla to sand colored hardwood is specially selected for its uniform color and minimal defects. Natural defects, if any will be concealed in the back side of drawer backs or front side of the front.

---

## Dimensional Parameters

---

### Drawer Side Thickness:

- 5/8" thick solid northern hardwood.

### Top Edge Profile:

- 1/16" radius eased edges (std.)
- Square flush edge

### Bottom Thickness:

- 3/8"-VC plywood only

### Bottom Inset:

- 1/2" Standard

### Min./Max drawer sizes:

- Height min. 2-1/8" / max 12-1/8" Birch & 11-3/8" in Maple
- Width min. 4" / max 36" Birch & 43-1/2" in Maple
- Depth min. 6" / max 36" Birch & 43-1/2" in Maple

### Dimensional & Machining tolerances:

- Dovetail Fit: Maximum: 1/32" gap
- Drawer Height: +/- 1/8"
- Drawer Width: +/- 1/32"
- Drawer Depth: +/- 1/16"
- Drawer Square: +/- 1/16"

---

## Custom Options

---

- See "CUSTOM OPTION SPECIFICATIONS" section for details.

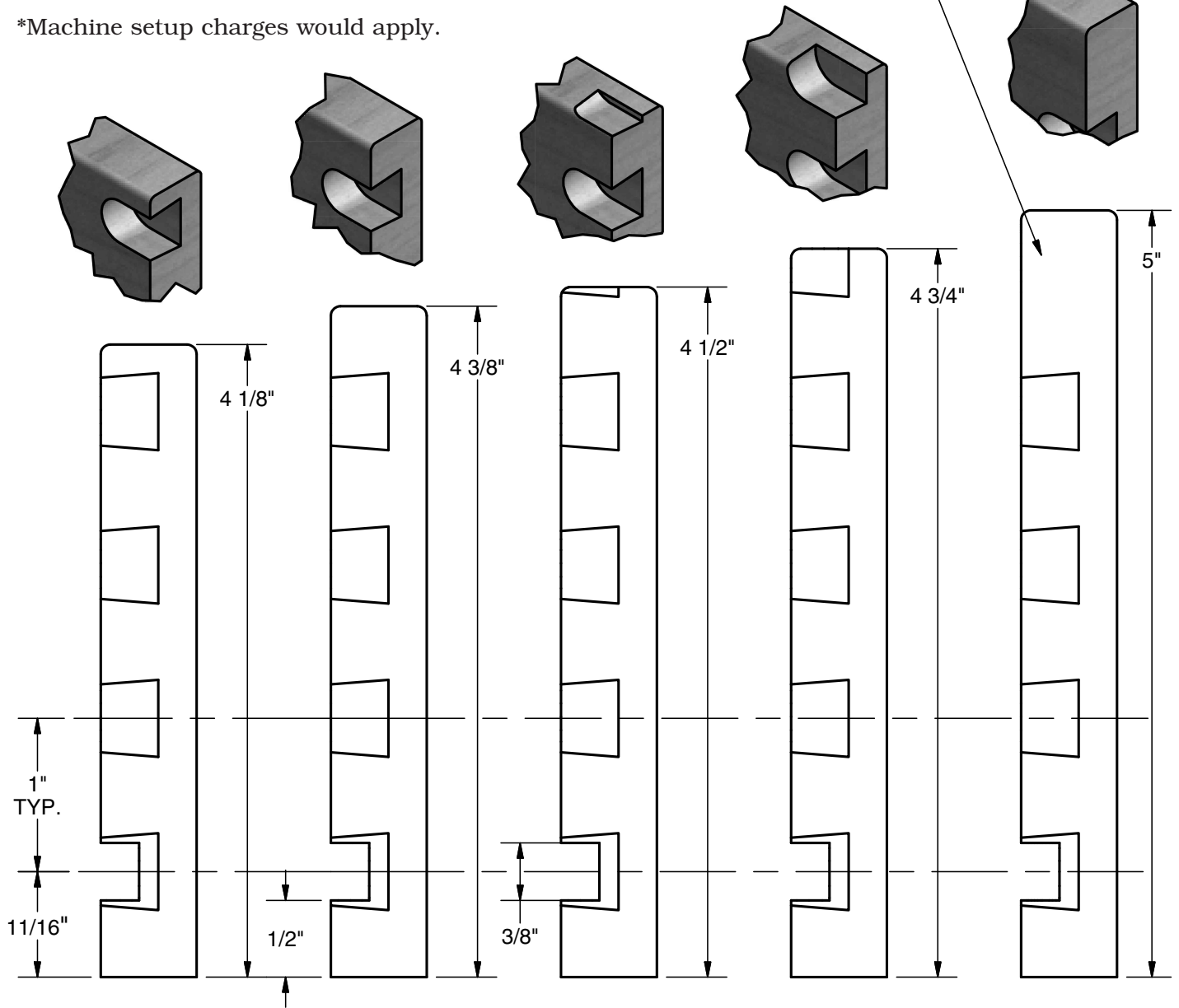
# Dovetail Layout with 1/2" Inset



5" height  
(Too thin & fragile)

➤ The illustrations below show how drawer height affects the machining and appearance of a dovetail joint. Heights that fall between X-7/16" and X-1/8" (X being the next whole inch #) will result in a spindle cutting through the top edge of a side as illustrated below.

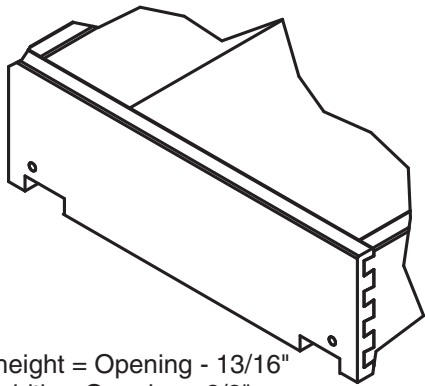
➤ Drawer heights requested between X-7/16" and the next whole inch can be produced by reconfiguring dovetailing machines, resulting in the following appearance.\*

\*Machine setup charges would apply.



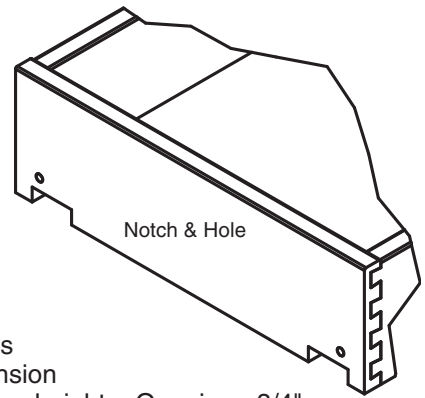
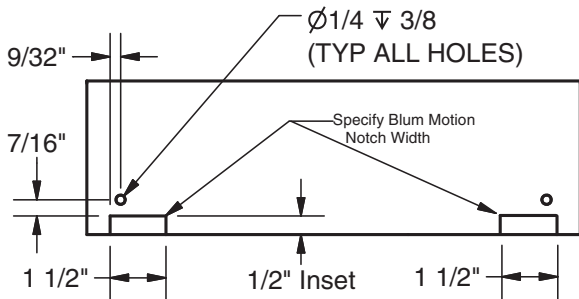
<b>TIMBERCRAFT</b> CUSTOM DOVETAILED DRAWERS 223 KENT ROAD NEW MILFORD, CT 06776 PHONE: (860) 355-5538 FAX: (860) 355-1274		TITLE: Timbercraft Flyer - July 2007		DESIGNED BY: James McGough 7/1/2007	
		MATERIAL: WOOD- BIRCH OR MAPLE		DRAWN BY: Matt Carney 7/1/2007	
UNLESS OTHERWISE NOTED: ALL UNITS ARE INCHES <b>TOLERANCES:</b> FRACTIONS: ± 1/16 DECIMAL: X.X = ± .03 X.XX = ± .010		PROJECTION: 3RD ANGLE 		CHECKED BY: James McGough 7/15/2007	
				FINISH: NATURAL	
SCALE: VARIES		PART NUMBER: TF 05-04-05		REV:	

# Options Group A: Undermount Notching



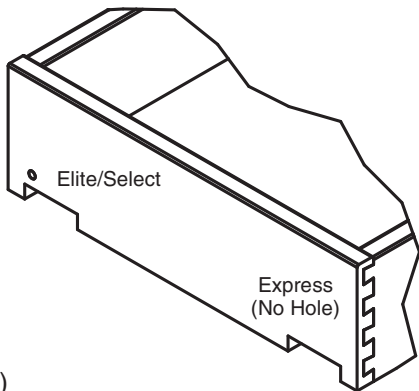
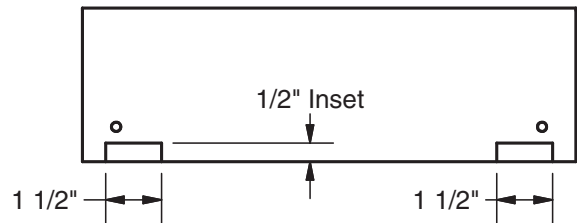
## Blum-

- Solo (No Hole)
- Tandem / Motion
- Maximum drawer height = Opening - 13/16"
- Maximum drawer width = Opening - 3/8"



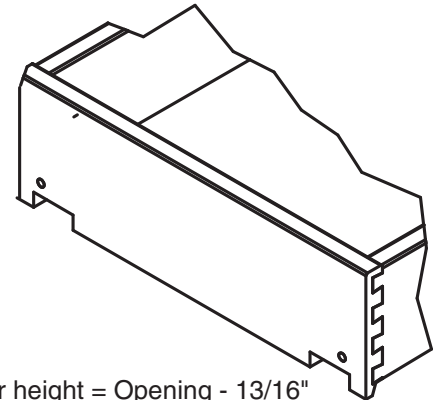
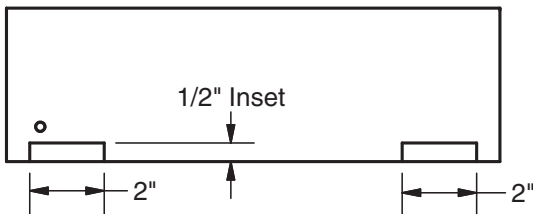
## Mepla NT-

- 7600 Full Access
- 7100 Full Extension
- Maximum drawer height = Opening - 3/4"
- Maximum drawer width = Opening - 3/8"



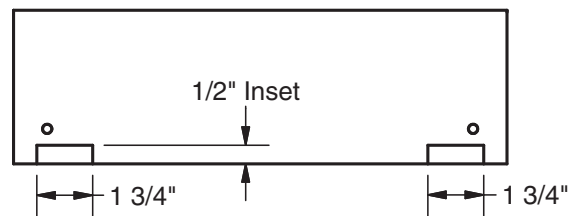
## Grass-

- Elite/Select
- Express (No Hole)
- Maximum drawer height = Opening - 7/8"
- Maximum drawer width = Opening - 3/8"



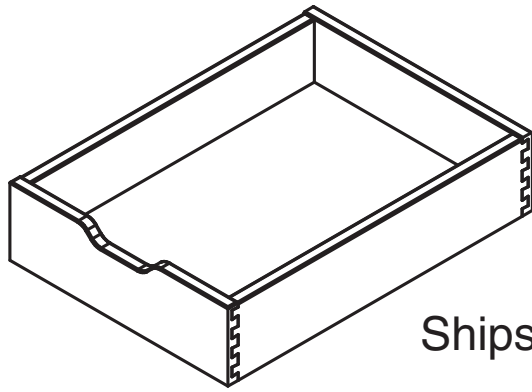
## Accuride-

- 3132SC
- 3132EC
- Maximum drawer height = Opening - 13/16"
- Maximum drawer width = Opening - 1/2"
- Drawer length = Slide length

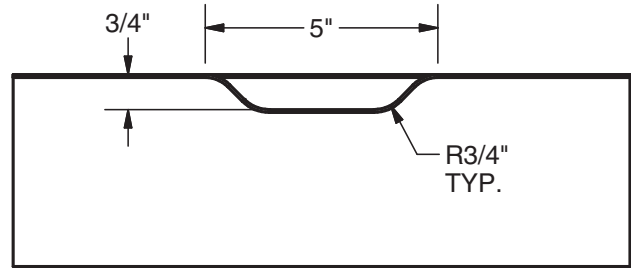


<b>TIMBERCRAFT</b> CUSTOM DOVETAILED DRAWERS 223 KENT ROAD NEW MILFORD, CT 06776 PHONE: (860) 355-5538 FAX: (860) 355-1274		TITLE: Timbercraft Flyer - July 2007		DESIGNED BY: James McGough 7/1/2007	
		MATERIAL: WOOD- BIRCH OR MAPLE		DRAWN BY: Matt Carney 7/1/2007	
UNLESS OTHERWISE NOTED: ALL UNITS ARE INCHES <b>TOLERANCES:</b> FRACTIONS: $\pm 1/16$ DECIMAL: X.X = $\pm .03$ X.XX = $\pm .010$		PROJECTION: 3RD ANGLE 		CHECKED BY: James McGough 7/15/2007	
				FINISH: NATURAL	
SCALE: VARIES		PART NUMBER: TF 05-04-05		REV:	

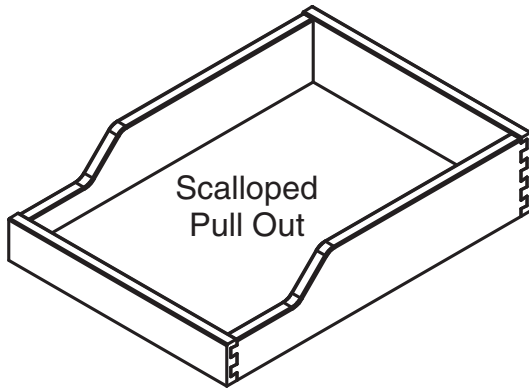
## Options Group B: Drawer Pull



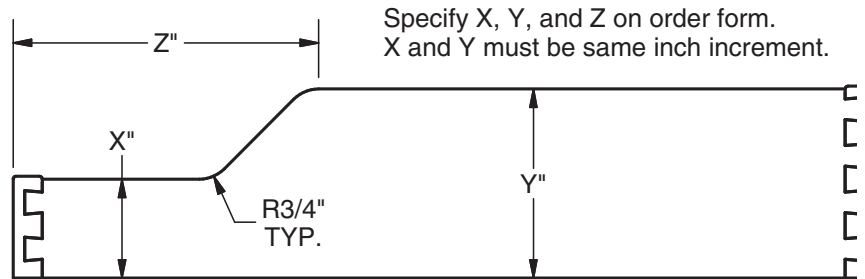
Ships Pull



## Options Group C: Side Scallops



Scalloped Pull Out



## Options Group D: Hanging File Rail Notch & Aluminum Rails

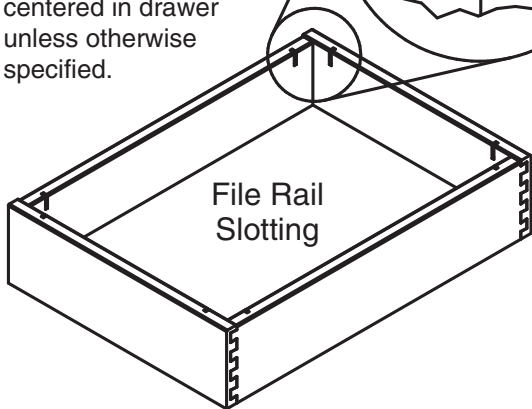
### Hanging Folder Sizes

(Center to Center)

Letter - 12-1/4"

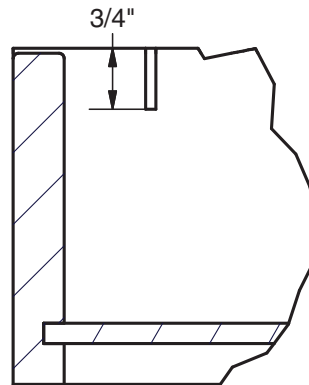
Legal - 15-1/4"

File Rails will be centered in drawer unless otherwise specified.

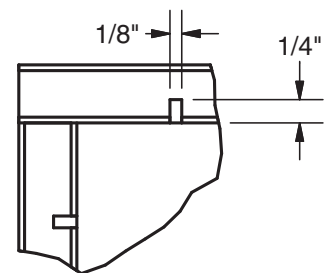


File Rail Slotting

min. outside width for letter = 13-3/4"  
min. outside width for legal = 16-3/4"



Front Sectioned Detail



Top Detail

1/8" x 1" rails are available

**TIMBERCRAFT**  
CUSTOM DOVETAILED DRAWERS

223 KENT ROAD PHONE: (860) 355-5538  
NEW MILFORD, CT 06776 FAX: (860) 355-1274



TITLE: Timbercraft Flyer - July 2007

MATERIAL: WOOD- BIRCH OR MAPLE

FINISH: NATURAL

DESIGNED BY:  
James McGough 7/1/2007

DRAWN BY:  
Matt Carney 7/1/2007

CHECKED BY:  
James McGough 7/15/2007

APPROVED BY:  
James McGough 7/15/2007

UNLESS OTHERWISE NOTED:  
ALL UNITS ARE INCHES

TOLERANCES:

FRACTIONS: ± 1/16

DECIMAL: X.X = ± .03 X.XX = ± .010

PROJECTION:  
3RD ANGLE

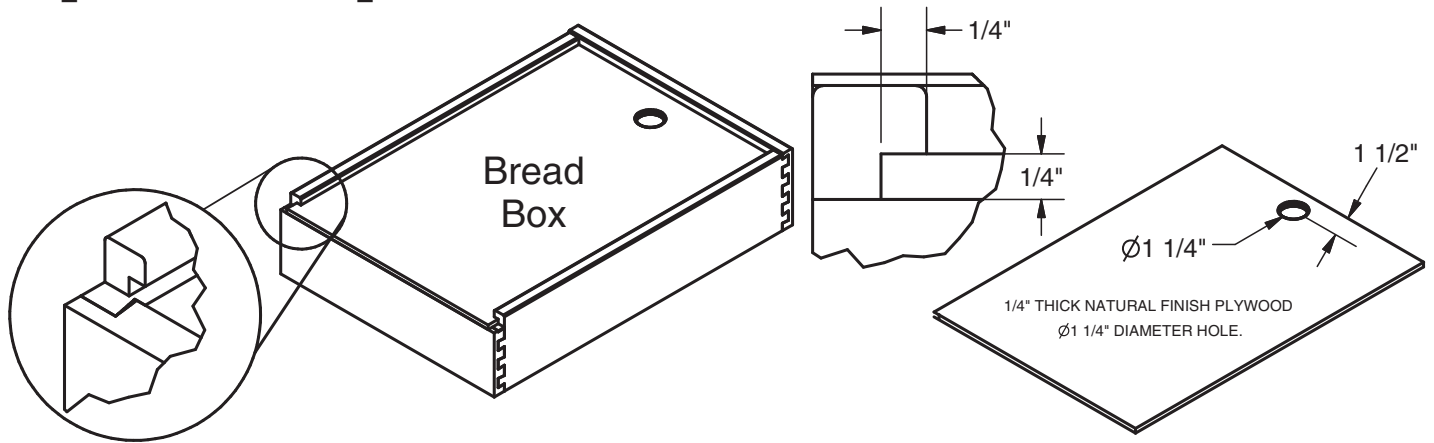


SCALE: VARIES

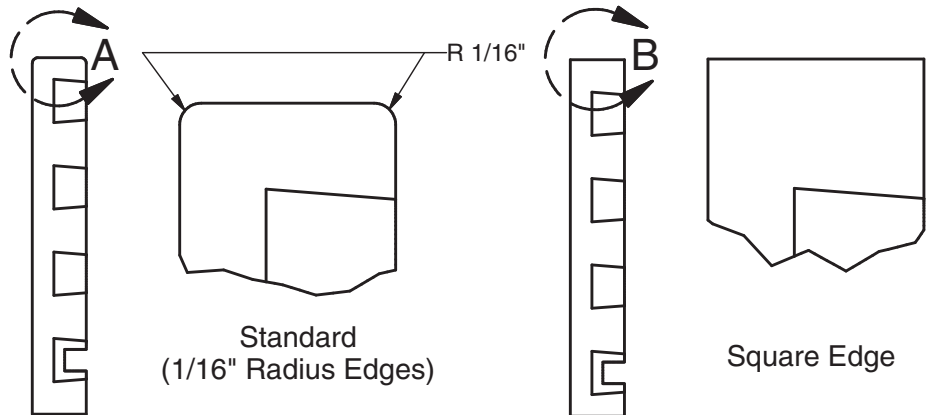
PART NUMBER: TF 05-04-05

REV:

## Options Group E: Bread Box



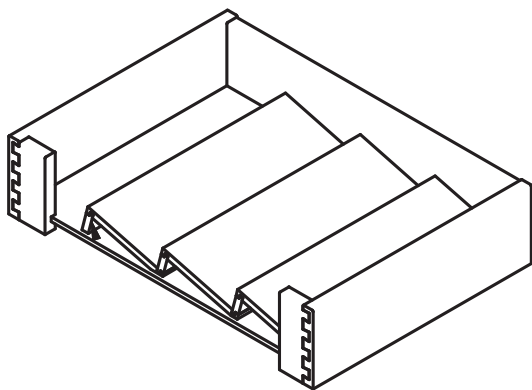
## Options Group F: Top Edges



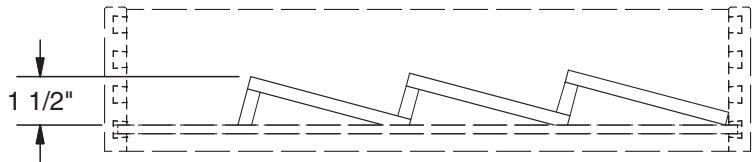
## Options Group G: Embossed Color Logo

Custom images or logos that are *permanently fused* through the surface of the drawer sides

## Options Group H: Custom Spice Tray Inserts



- 3/8" Thick Clear finished Birch plywood.
- Typically made to fit specified drawers.
- If purchasing without drawer specify depth & width.
- Minimum Depth: 16" Maximum: 24".
- Minimum Width of 12" applies for pricing purposes.
- Pricing: \$1.50 per width inch.



**TIMBERCRAFT**  
CUSTOM DOVETAILED DRAWERS

223 KENT ROAD PHONE: (860) 355-5538  
NEW MILFORD, CT 06776 FAX: (860) 355-1274



TITLE: Timbercraft Flyer - July 2007

DESIGNED BY:  
James McGough 7/1/2007

MATERIAL: WOOD- BIRCH OR MAPLE

DRAWN BY:  
Matt Carney 7/1/2007

UNLESS OTHERWISE NOTED:  
ALL UNITS ARE INCHES

TOLERANCES:

FRACTIONS:  $\pm 1/16$

DECIMAL: X.X =  $\pm .03$  X.XX =  $\pm .010$

PROJECTION:  
3RD ANGLE



SCALE: VARIES

FINISH: NATURAL

CHECKED BY:  
James McGough 7/15/2007

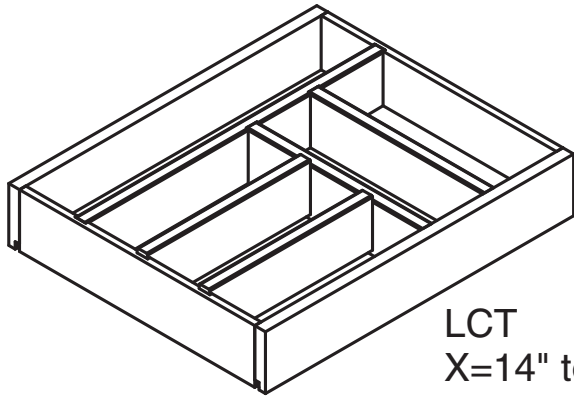
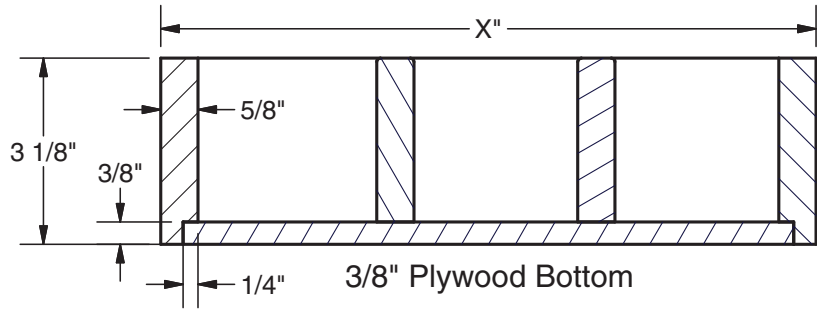
APPROVED BY:  
James McGough 7/15/2007

PART NUMBER: TF 05-04-05

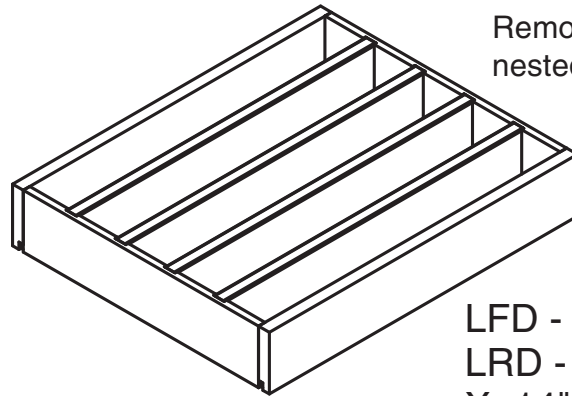
REV:

# Options Group H: Cutlery Insert & Divider Options

Removable Cutlery Inserts  
 -5/8" thick material  
 -No dovetails  
 -Flush inset bottom

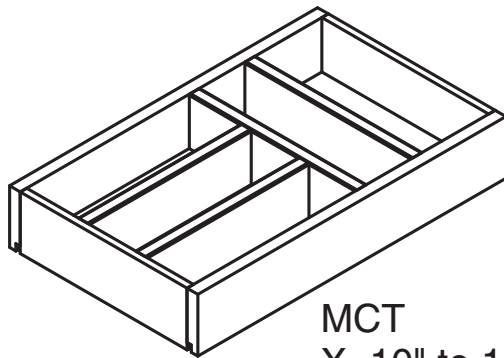


LCT  
 X=14" to 24"

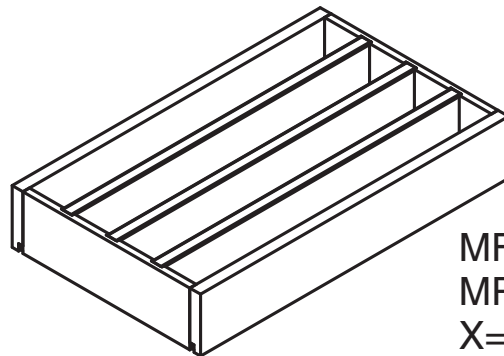


Removable Dividers  
 nested inside dado

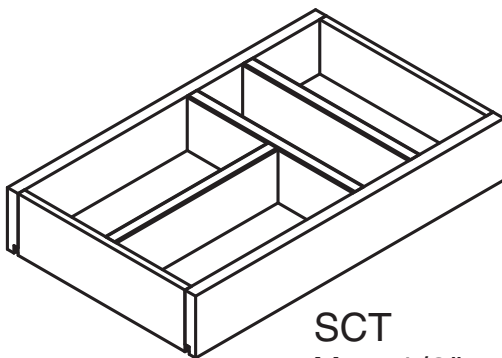
LFD - Fixed  
 LRD - Removable  
 X=14" to 24"



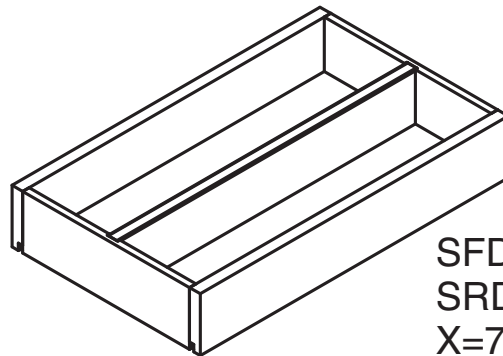
MCT  
 X=10" to 13 15/16"



MFD - Fixed  
 MRD - Removable  
 X=10" to 13 15/16"



SCT  
 X=7 1/2" to 10 1/16"



SFD - Fixed  
 SRD - Removable  
 X=7 1/2" to 10 1/16"

**TIMBERCRAFT**  
 CUSTOM DOVETAILED DRAWERS

223 KENT ROAD PHONE: (860) 355-5538  
 NEW MILFORD, CT 06776 FAX: (860) 355-1274



TITLE: Timbercraft Flyer - July 2007

MATERIAL: WOOD- BIRCH OR MAPLE

FINISH: NATURAL

DESIGNED BY:  
 James McGough 7/1/2007

DRAWN BY:  
 Matt Carney 7/1/2007

CHECKED BY:  
 James McGough 7/15/2007

APPROVED BY:  
 James McGough 7/15/2007

UNLESS OTHERWISE NOTED:  
 ALL UNITS ARE INCHES

TOLERANCES:

FRACTIONS: ± 1/16

DECIMAL: X.X = ± .03 X.XX = ± .010

PROJECTION:  
 3RD ANGLE



SCALE: VARIES

PART NUMBER: TF 05-04-05

REV:

# Timbercraft 2008 List Pricing

## Base Pricing

Multiply drawer height by the lineal inch outside perimeter of drawer.

Height	2-1/8" – 3-1/8"	3-3/16" – 4-1/8"	4-3/16" – 6-1/8"	6-3/16" – 8-1/8"	8-3/16" – 10-1/8"	10-3/16" – 12-1/8"
Birch	\$0.41	\$0.45	\$0.49	\$0.68	\$0.76	\$0.89
Maple	\$0.50	\$0.55	\$0.58	\$0.82	\$0.94	\$1.14

3/8" thick Birch veneer core plywood bottoms are standard and included in prices.

Options Pricing	Sample Price Calculation
<p>See option specifications pages for further detail.</p> <p><b>Finishing and Assembly</b> . . . . . \$15.00</p> <p><b>A Undermount Notch</b> . . . . . 5.00</p> <p><b>B Standard Ships Pull</b> . . . . . 15.00</p> <p><b>C Scalloped Side Pantry</b> . . . . . 30.00</p> <p><b>D File Rail Notching</b> . . . . . 10.00</p> <p><b>D Aluminum File Rail Set</b> . . . . . 20.00</p> <p><b>E Bread Box Notch</b> . . . . . 20.00</p> <p><b>E 1/4" Bread Box Lid (per sq. ft.)</b> . . . . . 3.00</p> <p><b>F Square Flat Topped Edges</b> . . . . . 15.00</p> <p><b>G Embossed Color Logo</b> . . . . . 10.00</p>	<p>Multiply the outside perimeter of drawer by the corresponding height factor. The cost of any options are added to obtain the list price for a drawer.</p> <p><b>Pricing Example:</b> Birch drawer 4-1/8" H x 18" W x 21" D with assembly, finishing, and notching for undermount slides</p> <p style="text-align: right;">78 lineal inches x \$0.45/ht factor = \$35.10                      Assembly + 5.00                      Finishing + 10.00                      Under-Mount Notch <u>5.00</u>  <b>List Price \$55.10</b>                      Lest 20% trade discount - <u>11.02</u>  <b>Total \$44.08</b></p>

## Custom Options Pricing

See option specifications pages for further detail.

Custom Options	Cutlery Tray Inserts				
	Size	Cutlery Tray	Dividers	Custom Spice Tray Insert	Removable Dividers
	Large	\$75.00	\$75.00	\$40.00	\$15.00
	Medium	\$65.00	\$65.00	\$30.00	\$15.00
	Small	\$50.00	\$50.00	\$25.00	\$15.00

## Estimated Manufacturing Times

	Time	QTY Restrictions	Expediated Manufacturing Premium
Standard	5-7 Days	N/A	N/A
Priority	3 Days	1-30 Drawers	30%
Emergency	Next Day	1-10 Drawers	60%



**TIMBERCRAFT**  
 Custom Dovetailed Drawers  
**Made in New England**  
 Toll-free 800-345-4930  
 Fax 860-355-1274  
 dovetail@timbercraft.biz  
 www.timbercraft.biz

Page \_\_\_\_\_ of \_\_\_\_\_

Date \_\_\_\_\_

Company: \_\_\_\_\_

Address: \_\_\_\_\_

City: \_\_\_\_\_

State: \_\_\_\_\_

Zip: \_\_\_\_\_

ORDER

QUOTE

PO#: \_\_\_\_\_

Job ID: \_\_\_\_\_

Contact: \_\_\_\_\_

Fax: \_\_\_\_\_

Phone: \_\_\_\_\_

**ADDITIONAL ORDER FORMS ARE AVAILABLE ONLINE.**

Insert applicable option codes and note details by line # in the notes.

Check applicable boxes below and note details in corresponding lettered boxes left side of this page.

Line #	Qty	Height	Width	Depth	Check applicable boxes below and note details in corresponding lettered boxes left side of this page.							
					<b>A</b>	<b>B</b>	<b>C</b>	<b>D</b>	<b>E</b>	<b>F</b>	<b>G</b>	<b>H</b>
					Notch	Drawer Pull	Side Scallops	File Rail Notch	Bread Box	Square Edges	Logo	Custom Options
1												
2												
3												
4												
5												
6												
7												
8												
9												
10												
11												
12												
13												
14												
15												

**Wood Specie**

- 5/8" Birch
- 5/8" Maple

**Top Edge Profile**

- Standard 1/16 Radius
- Flush Flat Edge

**Bottom Groove Inset**

- 1/2" Standard

**Options**

**A Undermount Notch**

Specify Slide Maker:

---

**B Drawer Pulls**

- Scoop

**C Scalloped Side**

Specify X, Y, and Z in notes.

(X) Front Height: \_\_\_\_\_

(Y) Back Height: \_\_\_\_\_

(Z) Distance: \_\_\_\_\_

**D File Rail Notch**

- 1/8"x1" Aluminum Rails

**E Bread Box**

- Bread Box Lid

**G Logo**

Specify Logo Line #.

---

<b>H</b>	Cutlery Tray Inserts			Removable Dividers (Note qty per drawer below)	
Size	Cutlery Tray	Divided	Custom Spice Tray Inserts		
Large	LCT	LFD	ST <i>Specify W"xD" if ordered alone.</i>		
Medium	MCT	MFD			
Small	SCT	SFD			
			RD <i>Specify Drawer Divider Qty. in notes below.</i>		

Line # Reference	NOTES

# GENERAL INFORMATION

## Customer Purchase Orders

We recommend that our customers use unique purchase order numbers for each order submitted to **TIMBERCRAFT**. You are also welcome to supply us with the job ID. This information will appear on all documentation including ID labels on drawer bottoms. Furthermore we suggest that our customers use **TIMBERCRAFT** order forms when submitting requests for quotes or orders. Utilizing **Timbercraft** order forms assists us in accurately planning and producing your order with the least amount of delay. *Personalized order forms are available upon request*

## Order Acknowledgements

**TIMBERCRAFT** acknowledges all orders and quotations via fax. Quote or order acknowledgements are faxed back for review and signature by the following morning. Orders are usually released into production the day after we receive back your signed acknowledgement confirming your review and accuracy of data. **Please review the memo box to the right of signature field. We will note missing information here that could delay the processing of your order.**

## Order Changes / Cancellations

**Once orders have been released into production they cannot be changed.** You can assume that your order is in production the day after we receive your signed order acknowledgement. We recommend that the customer contact **TIMBERCRAFT** as soon as any change or cancellation is needed. We will do our best to find a solution to your requests. Please fax any change requests on **TIMBERCRAFT** order form specifying the *original purchase order number / name and items to be changed*.

## Credit Terms

**TIMBERCRAFT** has two types of accounts: 100% prepay and open credit terms. Payment terms maybe considered for customers ordering on a weekly basis. All new customer accounts are initially 100% prepay until we have processed a credit application. Please allow 3-4 weeks for processing since most suppliers and banks require *written* credit history requests rather than verbal. Following review of credit history account status will be confirmed in writing. We accept all major credit and debit cards, PayPal and ACH payments. Open accounts are subject to terms and conditions, which will periodically be reviewed.

## Sales Tax Information

We are required by Connecticut law to add and collect sales tax from customers doing business in the State of Connecticut. To be exempt from this tax **TIMBERCRAFT** must have on file a completed copy of a customer's "Sales & Use Tax" certificate. **A resale tax ID # alone is insufficient for tax exemption status.** For your convenience we have included a copy of the required form in this brochure. If not on file we are compelled to add Connecticut's sales tax to your invoice. Something we would prefer not to do. *This pertains to Connecticut customers only.*

## Shipping Methods And Options

**TIMBERCRAFT** has negotiated favorable discounts with selected package and LTL carriers depending on region.

**TIMBERCRAFT** will choose the most economical means for transport if the customer does not make a specific request. All shipments will be shipped prepaid and the charges will be added to the customer's invoice. *Customers that continually exceed their payment terms will be shipped on a collect basis or by carrier of their choice.*

## General Lead-Time Information:

**Lead times referred to in this manual should be used as a guideline and represent our best estimates only.**

### Timbercraft offers 3 production lead-times:

**Standard:** Orders ready for pick-up or shipment in 5-7 business days. **(Standard)**

**Priority:** Orders ready for pick-up or shipment in 3 business days. **(+30%)**

**Emergency:** Orders ready for pick-up or shipment next business day. **(+60%)\***

\*Restrictions and limitations apply. Phone contact required.

Signed order acknowledgements are scheduled for production on the day they are received and cannot be changed after 4:00 pm. Orders are usually released into production the following business day. Order completion date can be estimated from this date. 100% prepay customers' lead-times will begin after **TIMBERCRAFT** has received payment.

Historically, we have found the primary reasons orders get delayed are:

- Unsigned or unreturned order acknowledgement.
- Order information that is missing or unclear. (This is why we strongly suggest utilizing Timbercraft Order Forms)
- Payment related issues.
- Timbercraft is unable to reach a contact person to resolve the above issues. It is always helpful to have an after hours number available should we need to reach you with questions that could delay the processing of your order. These questions often arise after 5:00 when we are entering data.

### Damages-Shortages-Remakes-Underestimates:

When any of the above issues occur please contact our office ASAP in order for us to work out a solution as quickly as possible. Freight damages must be noted with carrier upon receipt of goods. If inspection is not possible it is best to sign bill of lading with a notation stating **"subject to inspection"** clearly on BOL near your signature. Timbercraft must be contacted within 24 hours of receipt of damaged drawers.



STATE OF CONNECTICUT  
DEPARTMENT OF REVENUE SERVICES

SALES & USE TAX RESALE CERTIFICATE

Issued to (Seller) Timbercraft LLC

Address: 223 Kent Road  
New Milford CT. 06776

I certify that \_\_\_\_\_  
Name of Firm (Buyer)

\_\_\_\_\_  
Street Address or P.O. Box No.

\_\_\_\_\_  
City State Zip

is engaged as a registered

- ( ) Wholesaler
- ( ) Retailer
- ( ) Manufacturer
- ( ) Lessor
- ( ) Other (specify)

and is registered with the below listed states and cities within which your firm would deliver purchases to us and that any such purchases are for wholesale, resale, ingredients or components of a new product to be resold, leased, or rented in the normal course of our business. We are in the business of wholesaling, retailing, manufacturing, leasing (renting) the following:

\_\_\_\_\_

City or State	State Registration or I.D. No.		City or State	State Registration or I.D. No.

I further certify that if any property so purchased tax free is used or consumed by the firm as to make it subject to a sales or use tax we will pay the tax due direct to the proper taxing authority when state law so provides or inform the seller for added tax billing. This certificate shall be part of each order which we may hereafter give to you, unless otherwise specified, and shall be valid until cancelled by us in writing or revoked by the city or state.

General description of products to be purchased from the seller:

Solid wood cabinet drawer boxes

I declare under the penalties of false statement that this certificate has been examined by me and to the best of my knowledge and belief is a true, correct and complete certificate.

Authorized Signature \_\_\_\_\_  
(Owner, Partner, Corporate Officer) Title Date



# New Account Profile and Credit Application

## TIMBERCRAFT

Custom Dovetailed Drawers  
**Made in New England**

223 Kent Road  
 New Milford, CT 06776  
 Toll-free 800-345-4930  
 Fax 860-355-1274  
 dovetail@timbercraft.biz  
 www.timbercraft.biz

Company: \_\_\_\_\_ Owner: \_\_\_\_\_  
 Address: \_\_\_\_\_ S.S.#: \_\_\_\_\_  
 City: \_\_\_\_\_ Phone: \_\_\_\_\_  
 State: \_\_\_\_\_ Fax: \_\_\_\_\_  
 Zip: \_\_\_\_\_ E-mail: \_\_\_\_\_

### Form of Business:

- Corporation — Fed Tax EIN# \_\_\_\_\_  
 LLC / Partnership — Fed Tax EIN# \_\_\_\_\_  
 Proprietorship — Social Security# \_\_\_\_\_

**Note:** If you are a Connecticut based business and wish to be exempt from our state's 6% sales tax, **we are required to have a completed copy of your "Sales and Use" tax form on file.** A resale tax ID alone does not fulfill the state's exemption criteria. We have included a copy for your convenience.

Estimated monthly drawer purchase requirements? (Units or \$\$\$) \_\_\_\_\_ (In order to establish LOC)  
 Do you rent, lease or own building? \_\_\_\_\_ Years at presentation address \_\_\_\_\_

### Trade References

Supplier (1)	Supplier (3)
Phone	Phone
Fax	Fax
Contact	Contact

Supplier (2)	Supplier (4)
Phone	Phone
Fax	Fax
Contact	Contact

### Bank References

Name	Address	City	State	Zip
Phone#	Fax#	Contact	Checking Account #	

Unless otherwise specified our default payment terms for new customers are prepayment with order. For customers ordering on a regular basis a credit line may be established following review of this application. Please allow 3-4 weeks for processing. Invoices not paid within terms or that become delinquent will be assessed a one and a half (1 1/2%) percent monthly finance charge that will be billed to your account. If the company cannot pay within terms or your account becomes past due, the undersigned agrees to pay Timbercraft in full for all past due invoices along with all fees associated in recovering outstanding balances. In the event that Timbercraft cannot voluntarily collect payment after 60 days and there is no dispute as to the quality of product or service delivered, Timbercraft may retrieve such funds by means of any credit or debit card on file or ACH (automated clearing house) electronic funds transfer. Any product or service problem that could influence payments must be reported to Timbercraft within 24 hours of order receipt.

I certify that the information contained in this application is true and correct and that I understand the terms and conditions of this agreement. I give permission to Timbercraft to contact above references in order to establish a line of credit for our company.

Name: \_\_\_\_\_ Title: \_\_\_\_\_  
 Signature: \_\_\_\_\_ Date: \_\_\_\_\_





# **TIMBERCRAFT**

Custom Dovetailed Drawers

223 Kent Road, New Milford, CT 06776

**Toll-free** 800-345-4930 • **Fax** 860-355-1274

**Email** dovetail@timbercraft.biz • **Web** www.timbercraft.biz